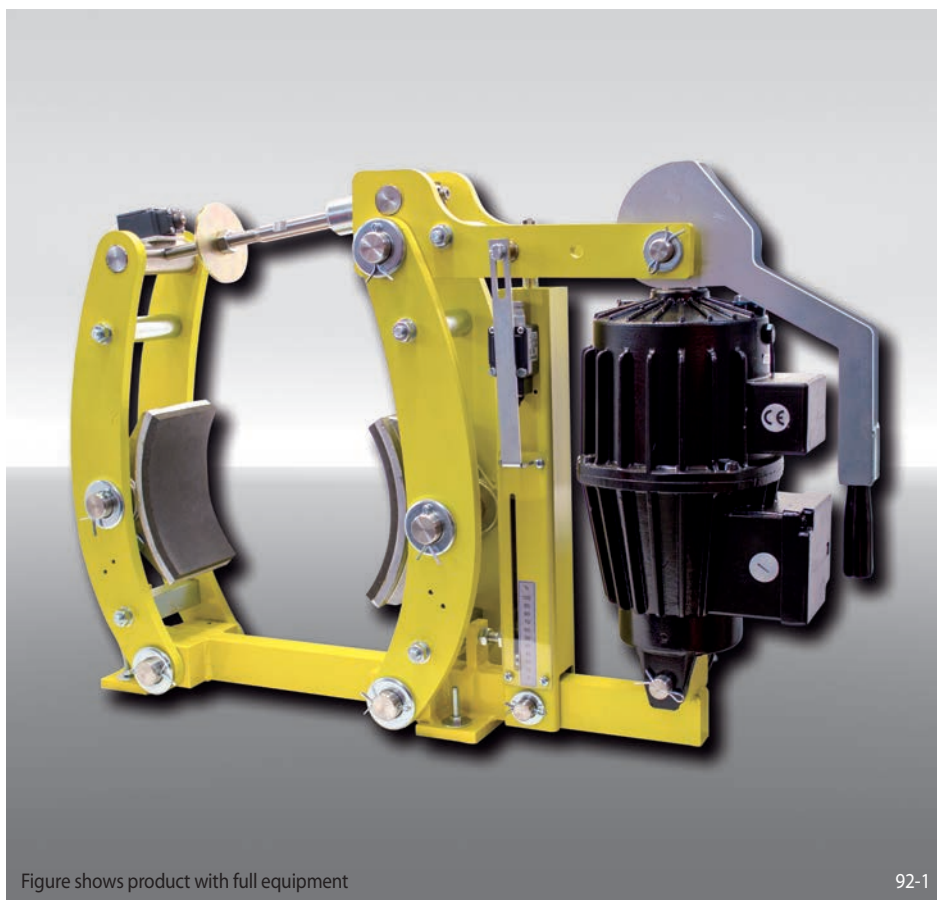


# Brake Caliper DT 400 FEA ... ST

spring activated – electrohydraulically released  
 Drum Brake according to DIN 15 435



Features	Code
Brake Caliper	D
Drum Brake	T
Frame size 400	400
Spring activated	F
Electrohydraulically released	E
Automatic adjustment to accommodate friction block wear	A
Thrustors 452, 453 or 455 are available	452 453 455
Material: steel	ST

### Example for ordering

Brake Caliper DT 400 FEA, thrustor 453, material: steel

DT 400 FEA - 453 - ST

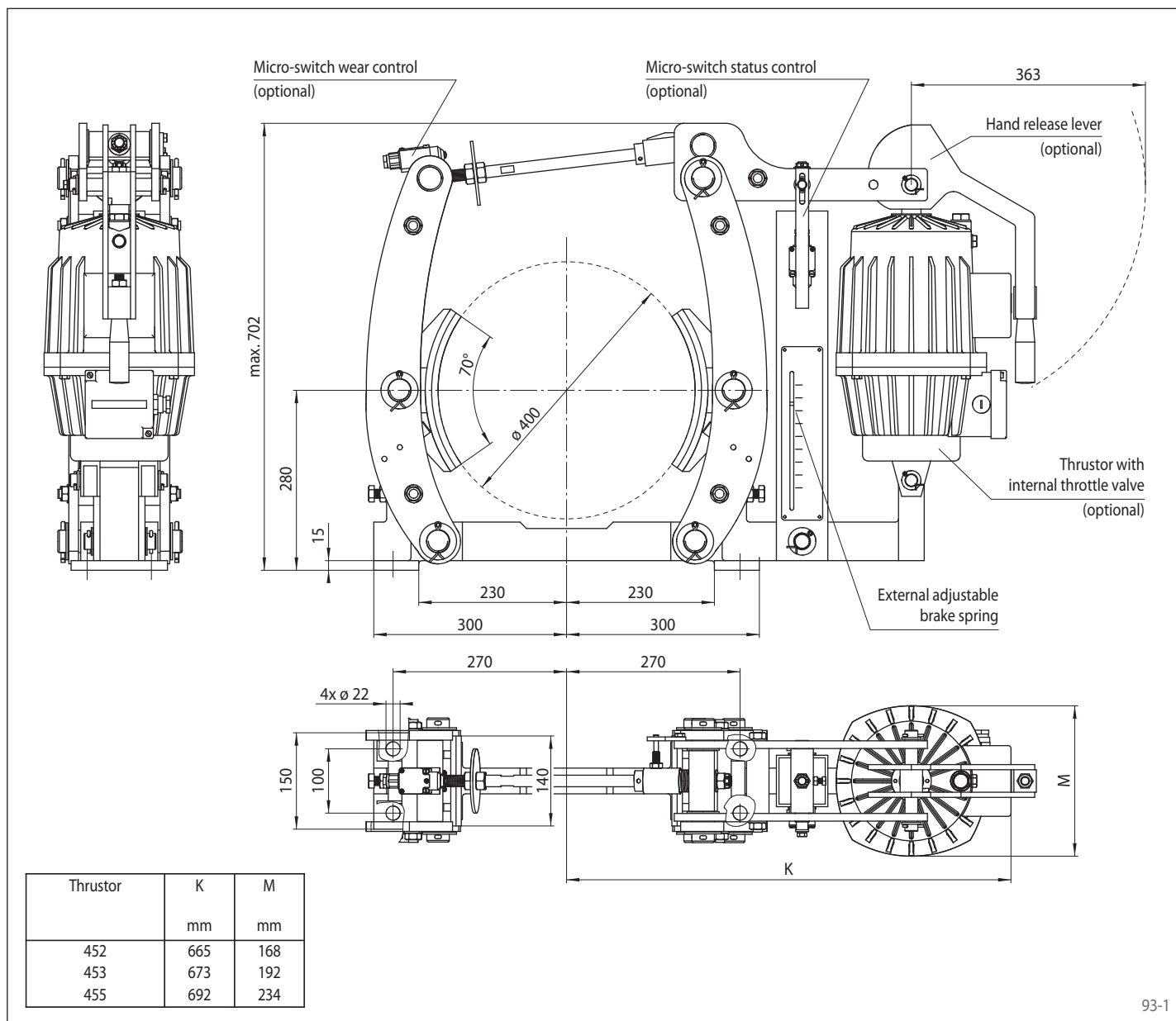
## Technical Data

	Brake Caliper DT 400 FEA ... ST		
	with thrustor 452	with thrustor 453	with thrustor 455
Brake drum diameter	Braking torque	Braking torque	Braking torque
mm	Nm	Nm	Nm
400	680	1 300	2 500
Clamping force	4 200 N	8 100 N	15 600 N
Braking torque adjustable	20 - 100%	20 - 100%	20 - 100%
Nominal power	180 W	240 W	370 W
Oil volume	2,5 l	3,5 l	4,5 l
Voltage	230/400 V	230/400 V	230/400 V
Weight	98 kg	100 kg	106 kg

The braking torques shown in the table are based on a theoretical friction coefficient of 0,4.

# Brake Caliper DT 400 FEA ... ST

spring activated – electrohydraulically released  
 Drum Brake according to DIN 15 435



## Options

- Micro-switch wear control
- Micro-switch status control
- Hand release lever
- Thrustor with internal throttle valve
- Thrustor in heat resistant design
- Corrosion protected design
- Wider brake shoes and brake drums