

# Brake Caliper DT 400 FEM ... NC

spring activated – electrohydraulically released  
Drum Brake according to DIN 15 435



Features	Code
Brake Caliper	D
Drum Brake	T
Frame size 400	400
Spring activated	F
Electrohydraulically released	E
Manual adjustment to accommodate friction block wear	M
Thrustors 452, 453, 454 or 455 are available	452 to 455
Material: cast	NC

### Example for ordering

Brake Caliper DT 400 FEM, thrustor 453, material: cast

DT 400 FEM - 453 - NC

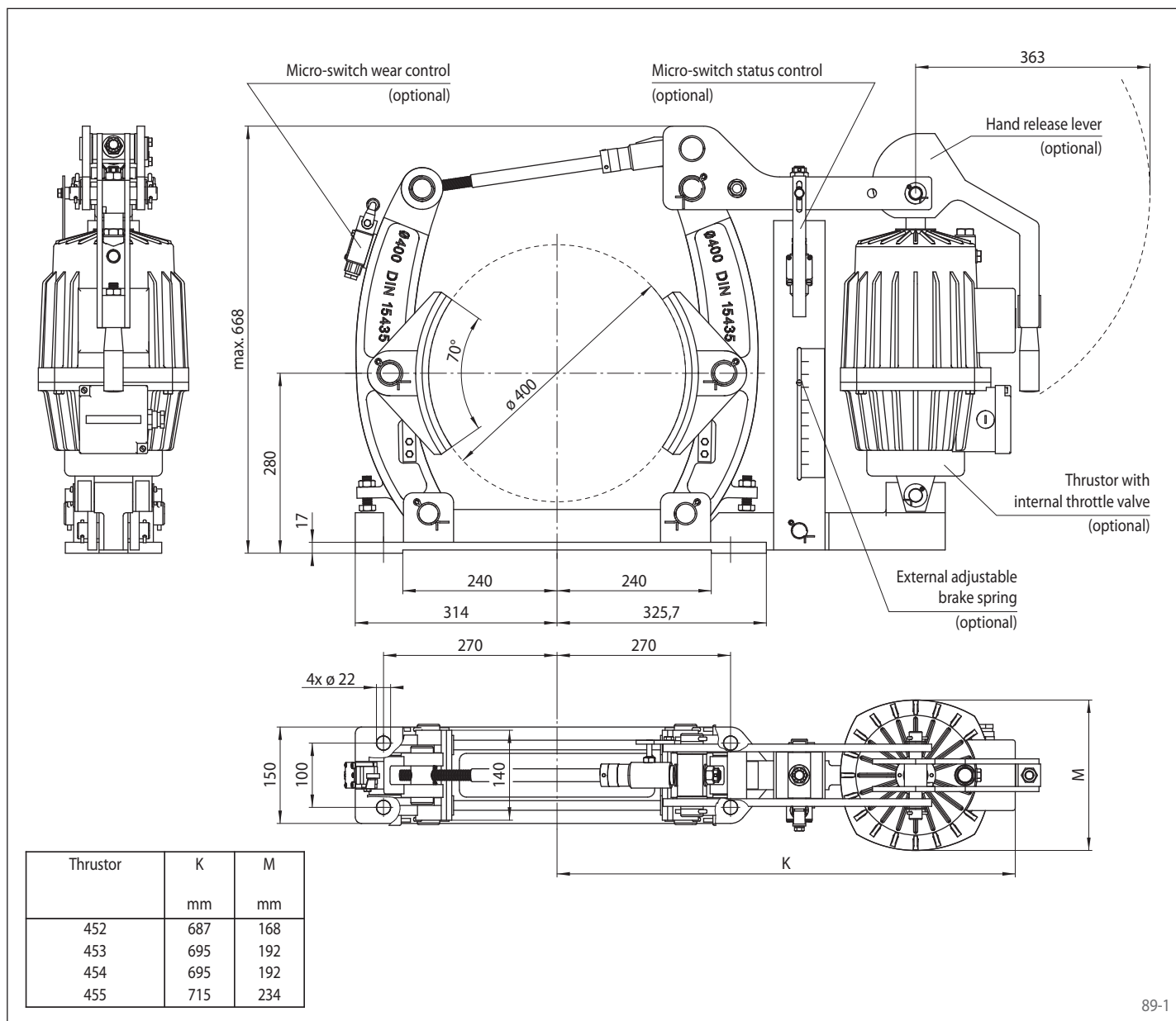
## Technical Data

	Brake Caliper DT 400 FEM ... NC			
	with thrustor 452	with thrustor 453	with thrustor 454	with thrustor 455
Brake drum diameter	Braking torque	Braking torque	Braking torque	Braking torque
mm	Nm	Nm	Nm	Nm
400	525	1040	1300	2075
Clamping force	3300 N	6500 N	8100 N	13000 N
Braking torque adjustable (optional)	20 - 100%	20 - 100%	20 - 100%	20 - 100%
Nominal power	180 W	240 W	280 W	370 W
Oil volume	2,5l	3,5l	3,5l	4,5l
Voltage	230/400 V	230/400 V	230/400 V	230/400 V
Weight	80 kg	82 kg	82 kg	88 kg

The braking torques shown in the table are based on a theoretical friction coefficient of 0,4.

# Brake Caliper DT 400 FEM ... NC

spring activated – electrohydraulically released  
Drum Brake according to DIN 15 435



89-1

## Options

- External adjustable brake spring
- Micro-switch wear control
- Micro-switch status control
- Hand release lever
- Thrustor with internal throttle valve
- Thrustor in heat resistant design
- Corrosion protected design
- Wider brake shoes and brake drums